



MPS ServiceNet

About MPS Technical References Customer Service Distributor Locator Rep Locator Industry Links News Contact Us

Login
 - enter email -
 - enter password -

Search

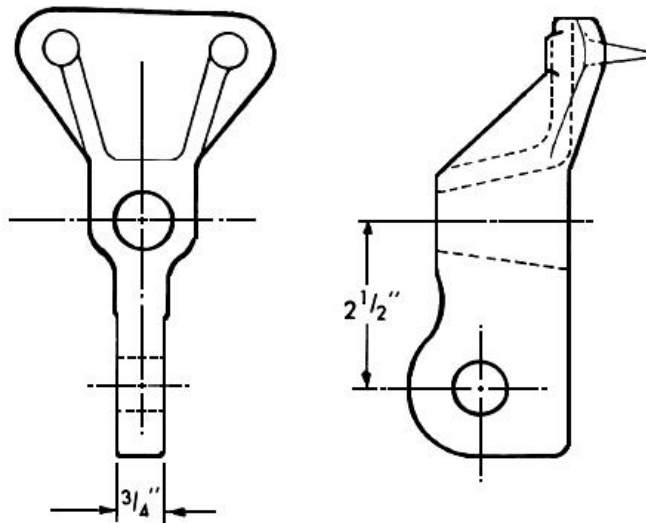
Pole Line Hardware F-Z >> Guy Attachments

Pole Eye Plates

[Print This Page](#) [Print PDF Catalog Page\(s\)](#)

Material:

- Ductile Iron: Hot Dip Galvanized



Catalog Number	Max Clevis Pin	Min Ultimate Strength	Mounting Bolts	Angle	Weight/100 (lbs)
PE-7X2	3/4	21,000	3/4 - 7/8	10 to 90	350

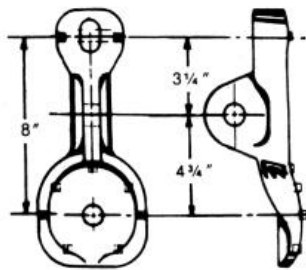


FIG. 1

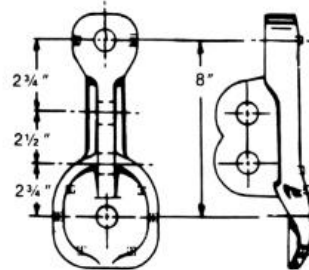
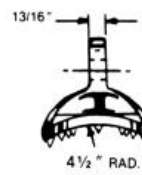


FIG. 2

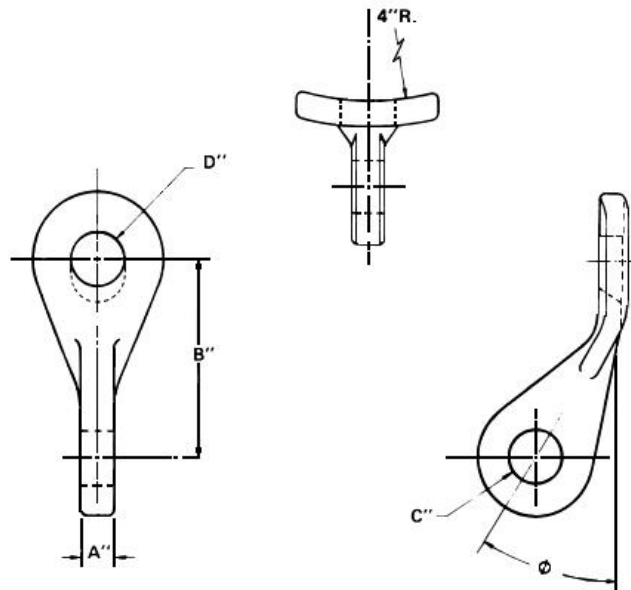


Catalog Number	Fig.	Max Clevis Pin	Rating - 45 degree	Rating - 90 degree	Mounting Bolts	Angle	Weight/100 (lbs)
EPR8777	1	7/8	42,000	36,000	3/4 - 7/8	10 to 90	950
EPR8-77-D7	2	7/8	42,000	36,000	3/4 - 7/8	10 to 90	1100

Features:

Also of Interest

- Arresters
- Cutouts
- Transmission Insulators

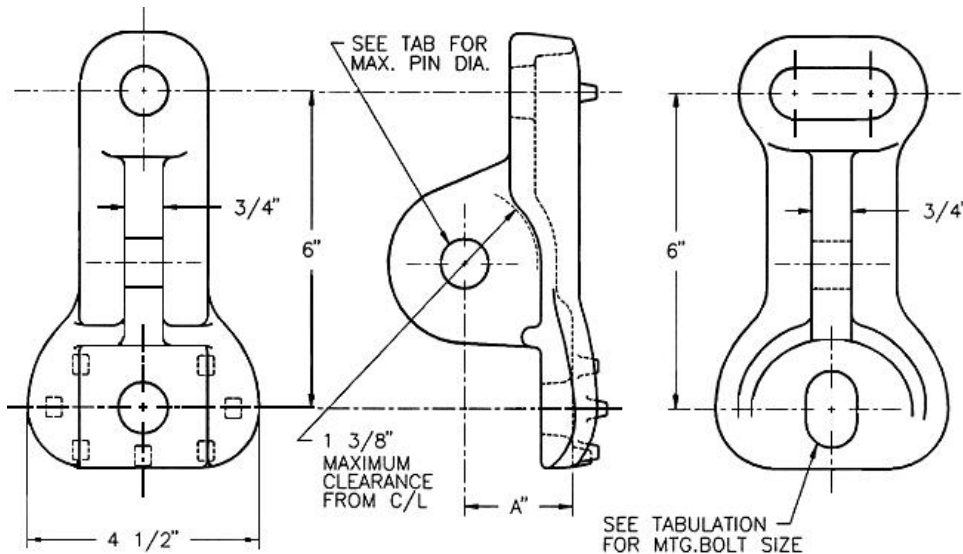


- GE-66 is supplied with integral anti rotation spur

Material:

- Ductile Iron; Hot Dip Galvanized

Catalog Number	A	B	C	D	Min Ultimate Strength	Weight Lbs (kg)
GE-66	1/2	2-3/4	13/16	13/16	15,000	1



Material:

- Ductile Iron; Hot Dip Galvanized

FIG. 1

FIG. 2

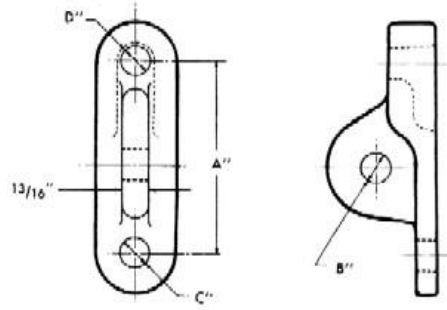
Catalog Number	Fig.	A	Max Clevis Pin	Rating - 45 degree	Rating - 90 degree	Mounting Bolts	Mounting Holes- Top	Mounting Holes Bottom	Weight Lbs (kg)
EPR-66S-7	2	1-7/8	7/8	36,000	30,000	5/8 - 3/4	Slot-Horiz.	Slot - Vert	6
EPR-66S-10	2	1-7/8	1-1/4	36,000	30,000	5/8 - 3/4	Slot-Horiz.	Slot - Vert	6
EPR-66S-12	2	1-7/8	1-1/2	36,000	30,000	5/8 - 3/4	Slot-Horiz.	Slot - Vert	6
EPR-77-7	1	2-1/8	7/8	42,000	36,000	3/4 - 7/8	Hole	Hole	6
EPR-77A-7	2	2-1/2	7/8	42,000	36,000	3/4 - 7/8	Hole	Slot - Vert	6
EPR-77S-7	2	1-7/8	7/8	42,000	36,000	3/4 - 7/8	Slot-Horiz	Slot - Vert	6
EPR-77-10	1	2-1/8	1-1/4	42,000	36,000	3/4 - 7/8	Hole	Hole	6

Notes:

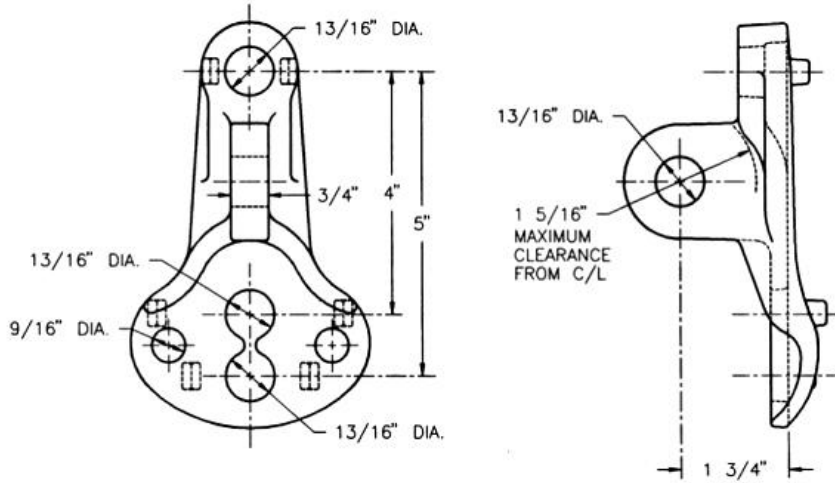
- 1) For attachment without cleats, add suffix "LT" to catalog number

Material:

- Ductile Iron; Hot Dip Galvanized



Catalog Number	A	B	C	D	Max Clevis Pin	Guying Angle (degrees)	Rating - 45 degree	Rating - 90 degree	Weight Lbs (kg)
EPF-88-7	6	15/16	1-1/16	1-1/16	7/8	10-90	45,000	40,000	8
EPF-88-8	6	1-1/16	1-1/16	1-1/16	1	10-90	45,000	40,000	8



Features:

- Wide variety of mounting hardware options
- Bottom mounting base will accommodate an additional 3/4" diameter through bolt or two 1/2" diameter lag screws
- Includes integral spurs to resist movement

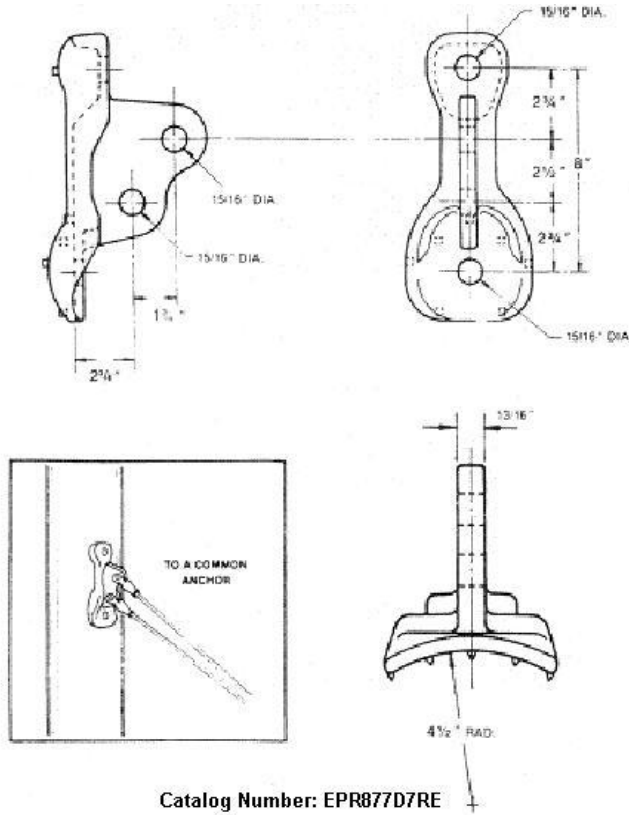
Material:

- Ductile Iron; Hot Dip Galvanized

Catalog Number	H	Min Ultimate Strength	Max Clevis Pin	Guying Angle (degrees)	Weight/100 (lbs)
PEP-66-45		21,000	3/4	10-90	220

Material:

- Ductile Iron: Hot Dip Galvanized



Catalog Number: **EPR877D7RE**

Catalog Number	Back Surface	Ratings (angle of degree) - 45-	Ratings (angle of degree) - 90	Maximum Pin Diameter	Weight/100 (lbs)
EPR877-D7RE	with teeth	42,000	36,000	7/8"	1100
EPR877-D7RE-LT	less teeth	42,000	36,000	7/8"	1100

ISO Certification
©2018 MacLean Power Systems

About MPS | Customer Service | Industry Links | News | Careers | Contact Us
Privacy Policy | Conflict Minerals Policy | Customer Terms | Supplier Terms | Site Map



Web site design and web site development by Americaneagle.com