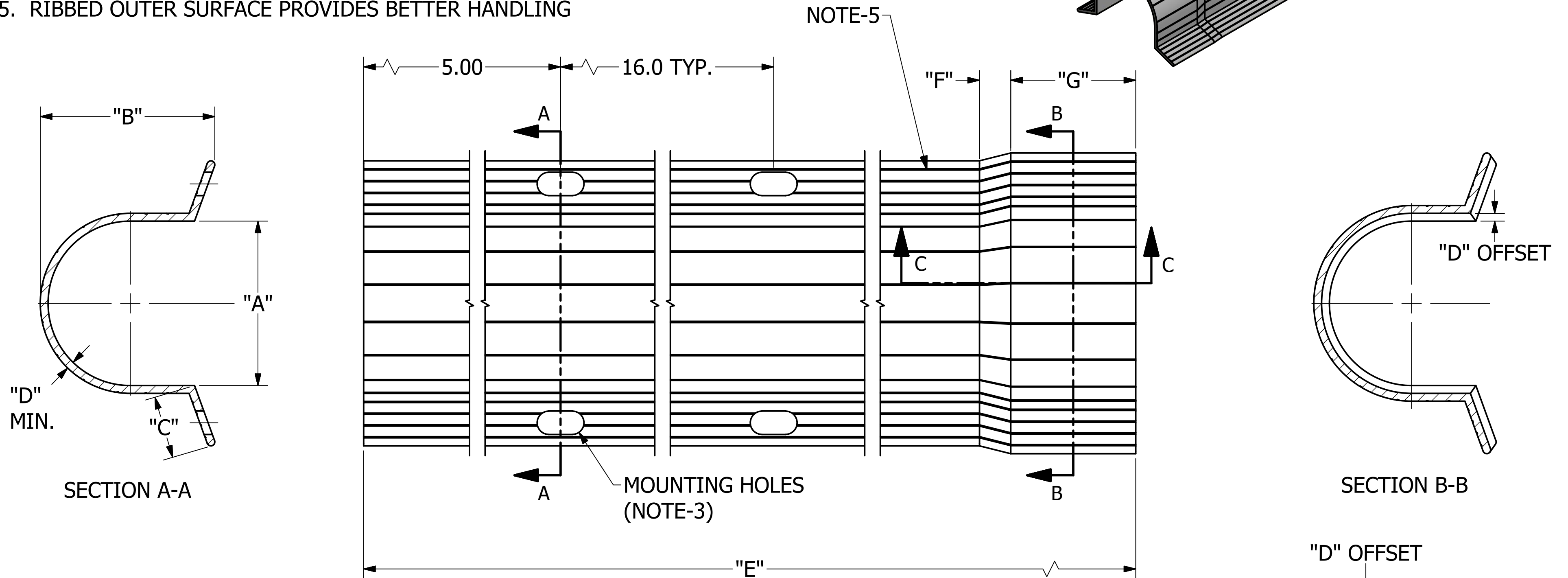
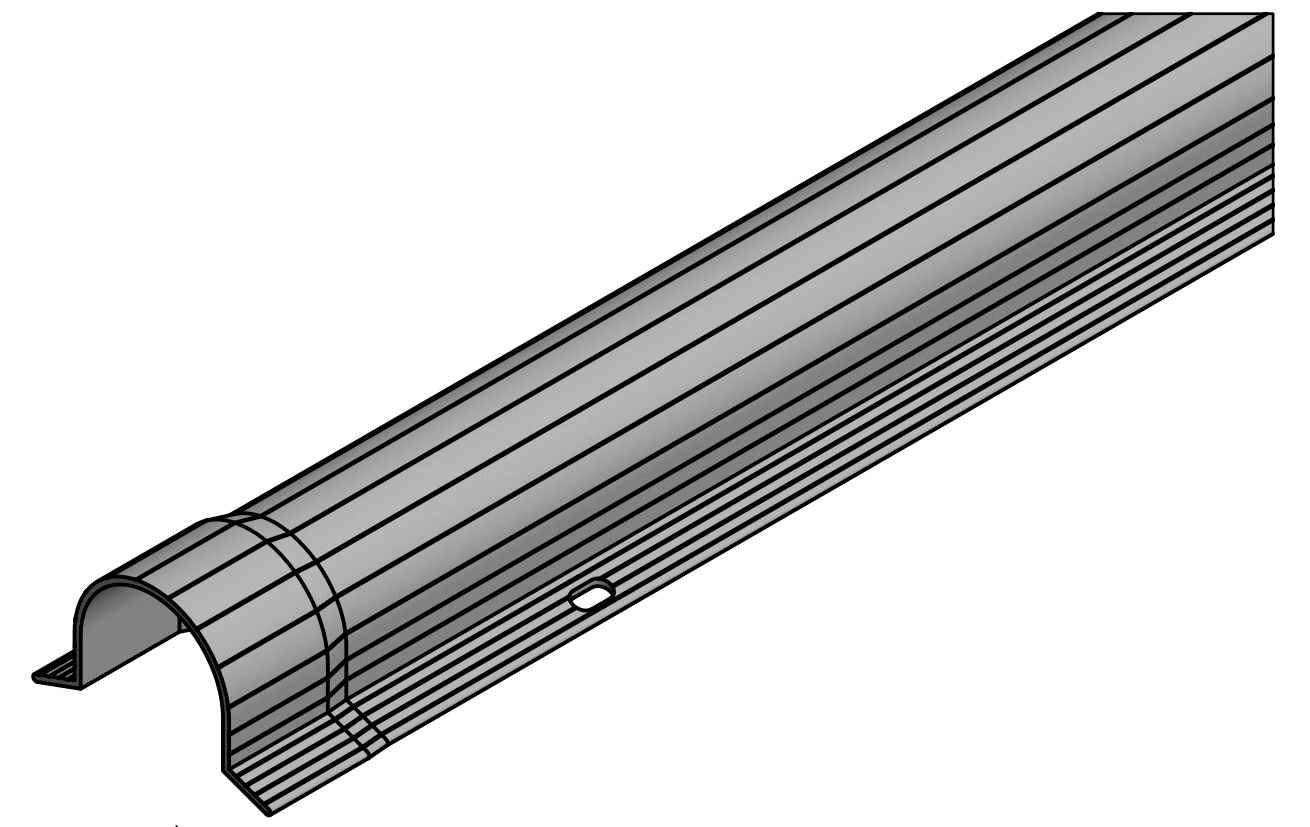


- NOTES -

1. MATERIAL: PE 335420E PER ASTM D 3350
2. CABLE GUARDS MEET REQUIREMENTS LISTED IN NEMA TC-19 STANDARD FOR:
 - IMPACT RESISTANCE
 - SUNLIGHT RESISTANCE
 - FLAMMABILITY RESISTANCE
3. 5' LENGTH WILL HAVE 8 MOUNTING HOLES (4 PER SIDE)
10' LENGTH WILL HAVE 16 MOUNTING HOLES (8 PER SIDE)
4. BELLED END PROVIDE AN OVERLAP FOR ADJACENT SECTIONS
5. RIBBED OUTER SURFACE PROVIDES BETTER HANDLING



CATALOG NO.	SIZE	"A"	"B"	"C"	"D"	"E"	"F"	"G"	MOUNTING HOLES
PSC2030588	1"	1.13	1.25	0.75	0.125	5'	N/A	N/A	.188 x .750
PSC2030546	1"	1.13	1.25	0.75	0.125	10'	N/A	N/A	.375 x .750
PSC2030547	2"	2.63	2.79	1.00	0.125	5'	0.50	2.00	.375 x .750
PSC2030548	2"	2.63	2.79	1.00	0.125	10'	0.50	2.00	.375 x .750
PSC2030549	3"	3.56	4.17	1.00	0.150	5'	1.00	3.00	.375 x .750
PSC2030550	3"	3.56	4.17	1.00	0.150	10'	1.00	3.00	.375 x .750
PSC2030551	4"	4.44	5.54	1.00	0.150	5'	1.50	4.00	.375 x .750
PSC2030552	4"	4.44	5.54	1.00	0.150	10'	1.50	4.00	.375 x .750
PSC2030553	5"	5.41	6.67	1.25	0.170	5'	1.50	4.00	.375 x .750
PSC2030554	5"	5.41	6.67	1.25	0.170	10'	1.50	4.00	.375 x .750
PSC2030555	6"	6.25	7.87	1.50	0.200	5'	2.00	5.00	.375 x .750
PSC2030556	6"	6.25	7.87	1.50	0.200	10'	2.00	5.00	.375 x .750
PSC2030568	8"	8.13	10.06	1.63	0.220	5'	3.00	7.00	.375 x .750

CHANCE®

HUBBELL POWER SYSTEMS, INC.

CONFIDENTIAL: THIS DRAWING AND ITS CONTENTS ARE CONFIDENTIAL AND THE EXCLUSIVE PROPERTY OF HUBBELL POWER SYSTEMS. NO PUBLICATION, DISTRIBUTION, OR COPIES MAY BE MADE WITHOUT THE WRITTEN CONSENT OF HUBBELL POWER SYSTEMS. HUBBELL POWER SYSTEMS UNPUBLISHED ALL RIGHTS RESERVED UNDER THE COPYRIGHT LAWS.

GUARD, CABLE BELLED END

SIZE C	CAT / PART / ASSY NO. SEE CHART	DWG NO. SAC2030546	REV B
DO NOT SCALE THIS DRAWING	DRN BY WILSON	DATE 09/20/18	SHEET 1 OF 1