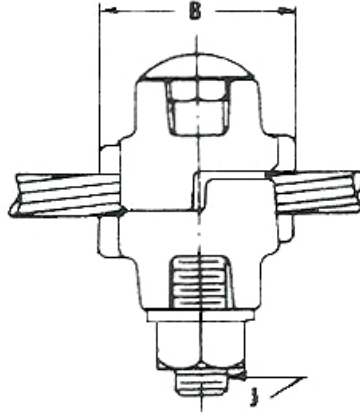
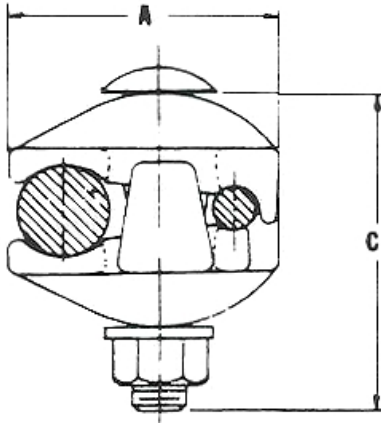




Pole Line Hardware A-E >> Clamps
Ground / Bond

Material:

- Clamp: Ductile Iron, Hot Dip Galvanized
- Hardware: High Strength Steel, Hot Dip Galvanized



Catalog Number	A	B	C	J	Cable Range Main	Cable Range Tap	Weight/100 (lbs)
BC-63	1 5/8	1 1/4	1 3/4	3/8	.25" - .56"	.16" - .30"	51
BC-105	2 1/2	1 1/2	3	1/2	.50" -1.00"	.16" - .46"	107

Features:

- Used to attach ground wires at the nut end of bolts on transmission lines
- Includes two (2) 1-1/2" long clamp sections and one (1) square nut.



Material:

- Hot Dip Galvanized

Catalog Number	Mounting Bolts	Ground Wire Dia. Range	Weight/100 (lbs)
J1163	5/8	3/16 to 3/8	50
J1164	3/4	1/4 to 1/2	52

Notes:

Features:

- MPS Ground Rod Clamps are designed for heavy duty ground connections to galvanized ground rods.
- The clamp assembly consists of a stainless steel hex-head bolt and a hot dip galvanized clamp body.
- Accommodates 5/8" diameter ground rods



Material:

- Ductile Iron - Hot Dip Galvanized

Catalog Number	Description	Wire Range	Weight/100 (lbs)
J25932	5/8" Galv. Malleable Ground Rod Clamp	#10 - #2	16



Features:

- Used to bond the cable sheath to the messenger strand
- The clamp body is made with an inside keeper riding on the end of the bolt
- The 1/2" bolt can be removed to place the clamp over the messenger wire

- The clamp body is made of 1-1/2" x 3/16" steel

Material:

- Steel - Hot Dip Galvanized

Catalog Number	Weight/100 (lbs)
J7956	52



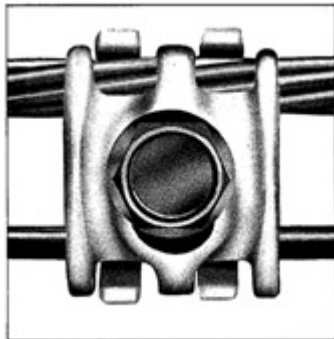
Features:

- Used to clamp ground wire to 5/8 and 3/4-inch rods.

Material:

- Steel - Hot Dip Galvanized

Catalog Number	Weight/100 (lbs)
J8225	55



Features:

- The assembly consists of two clamp sections and a 5/16" x 7/8" bronze hex washerhead bolt.
- One clamp section is tapped to allow installation with a single wrench

Material:

- Bronze with tin plating

Catalog Number	Description	Wire Range	Weight/100 (lbs)
J8300	Semi-tin plated clamp with one bare bronze groove	.162" - .398"	16
J8301	Tin plated clamp completely plated	.162" - .398"	16



**CLAMP WITH
HEX HEAD
BOLT**

MPS Bronze Ground Rod Clamps, used with copperbonded ground rods, provide a low resistance, secure copper-to-copper connection. These heavy-duty clamps develop a high-pressure contact between the rod and the grounding wire and can be easily disconnected when it is desired to measure resistance of the ground.

Material: Bronze

Catalog Number	Rod Size	Ground Wire	Weight/100 (lbs)
J8491	1/2	2 - 10 AWG	16
J8492	5/8	8 - 1/0 AWG	18
J8493	3/4	8 - 1/0 AWG	26

Features:

- Accommodates .16" to .38" ground wire diameter range

Material:

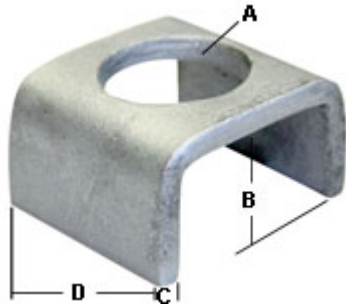
- The J771018 grounding lug assembly consists of a 3/8" x 1-1/4" carriage bolt, complete with wire clamp, spring lockwasher and square nut
- All components are Hot Dip Galvanized.



Catalog Number	Weight/100 (lbs)
J771018	12.2

Features:

MacLean galvanized steel bond clamps provide a sturdy and efficient provision to connect ground wire to threaded bolts. The clamps are designed to nest over the square nut of the bolt. The grounding connection is accomplished by inserting the ground wire between the nut and the bonding clamp and adding an additional nut to secure the clamp and ground connection. The clamps accommodate the most common range of ground wire diameters.



Catalog Number	Bolt Size (Inches)	B	C	D	Ground Wire Dia. Range	Weight/100 (lbs)
J27276	5/8	0.520	0.187	1.00	0.162-0.312	10.4
J27277	3/4	0.600	0.187	1.00	0.162-0.312	15.1
J27278	7/8	0.730	0.187	1.50	0.162-0.312	21.2
J27279	1	0.840	0.187	1.68	0.162-0.437	27.2

www.maclepower.com

