



**MPS**ServiceNet

[About MPS](#) [Technical References](#) [Customer Service](#) [Distributor Locator](#) [Rep Locator](#) [Industry Links](#) [News](#) [Contact Us](#)

Login

- enter email -  
- enter password -

**Search**

Cross Reference

Pole Line Hardware A-E >> Clevis

Insulated Secondary & Deadend

[Print This Page](#) [Print PDF Catalog Page\(s\)](#)

**Online Catalog**

MacLean Real-Time Design™

[Anchors - Utility](#)

[Arresters](#)

[Conductor Hardware](#)

[Cutouts](#)

[Fiberglass - Utility](#)

[Safety Products](#)

[Transmission Insulators](#)

[Distribution Insulators](#)

[Substation Insulators](#)

[Pole Line Hardware A-E](#)

[Pole Line Hardware F-Z](#)

[Industry Links](#)

[Buy America Certified](#)

**Also of Interest**

[Conductor Hardware](#)

[Safety Products](#)

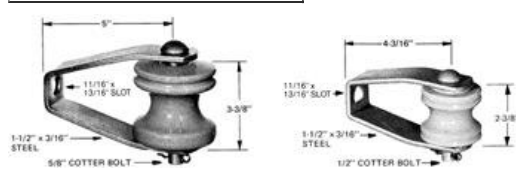
[Substation Insulators](#)

**Features:**

- Clevis mounting holes are for 5/8" bolts
- Mounting holes are slotted to permit installation without removing insulators . Insulators are shown for illustration only and must be ordered separately.

**Material:**

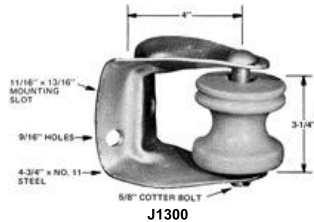
- Hot Dip Galvanized



Catalog Number	Weight/100 (lbs)
<a href="#">J0313</a>	118
<a href="#">J0342</a>	152

**Notes:**

1) Insulators shown for illustration only and must be ordered separately.



**Features:**

- Clevis mounting holes are for 5/8-inch bolts. Mounting holes are slotted to permit installation without removing insulators. Insulators are shown for illustration only and must be ordered separately
- The J1300 is designed to develop high strength on deadends or line pulls. It has a mounting slot for one 5/8-inch machine bolt and two staggered side holes for 1/2-inch lag screws.

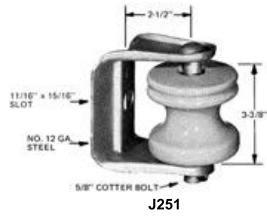
**Material:**

- Hot Dip Galvanized

Catalog Number	For Use w/ Insulator Catalog No.	Weight/100 (lbs)
<a href="#">J1300</a>	J151 or J0101	210

**Notes:**

1) Insulators are shown for illustration only and must be ordered separately

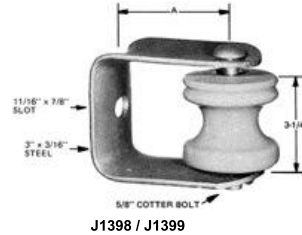
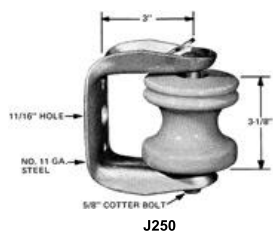


Catalog Number	For Use w/ Insulator Catalog No.	Width (Inches)	Weight/100 (lbs)
<b>J251</b>	J151	3-3/4	156

Notes:

1) Insulators shown for illustration only and must be ordered separately

- The J250 has two sharp projections in the back to prevent it from twisting. The cotter bolt is held in position by means of the same type of tab that is used on the J252. Insulators shown for illustration only and must be ordered separately



Catalog Number	For Use w/ Insulator Catalog No.	Weight/100 (lbs)	A
<b>J250</b>	J101 or J151	152	
<b>J1398</b>	J101 or J151	240	3-1/2
<b>J1399</b>	J101 or J151	254	4

Notes:

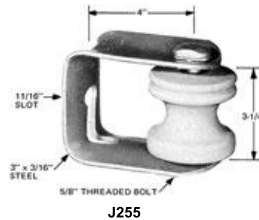
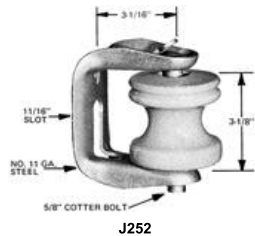
1) Insulators shown for illustration only and must be ordered separately

Features:

- The J252 and J255 Secondary Pulley Brackets are designed for use both as stringing pulleys and as secondary clevises, making them especially useful for stringing and sagging conductors.
- The conductor is strung and sagged with the bracket in the pulley position where it cannot bind. The 90 degree slot in the base makes it possible to rotate the bracket into the clevis position before or after the conductor is tied to the spool.
- The J252 light-type has a metal tab which contains the insulator bolt. The cotter bolt of the J255 heavy duty-type threads into the bottom of the clevis, locking the special Twist-Lock head into a groove in the clevis top. Both features eliminate the cotter pin.
- Insulators shown for illustration only and must be ordered separately

Material:

- Hot Dip Galvanized



Pulley Position



Clevis Position

Catalog Number	For Use w/ Insulator Catalog No.	Width (Inches)	Weight/100 (lbs)
<b>J252</b>	J101 or J151	2-5/8	150

<b>J255</b>	J0101, J101 or J151	3	256
-------------	---------------------	---	-----

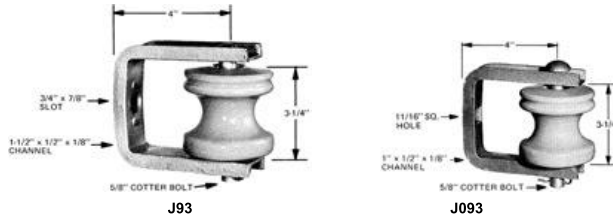
Notes:  
1) Insulators shown for illustration only and must be ordered separately

**Features:**

- The J93 Clevis is formed from stiff, hot rolled channel, making it much heavier and stronger than similar brackets made of pressed steel channel.
- The J93 clevis features raised projections near the bolt mounting slot which assist in capturing the bolt head to resist turning.
- The J093 Clevis has an 11/16" square hole for mounting with either a 5/8" carriage or machine bolt.
- Insulators shown for illustration only and must be ordered separately

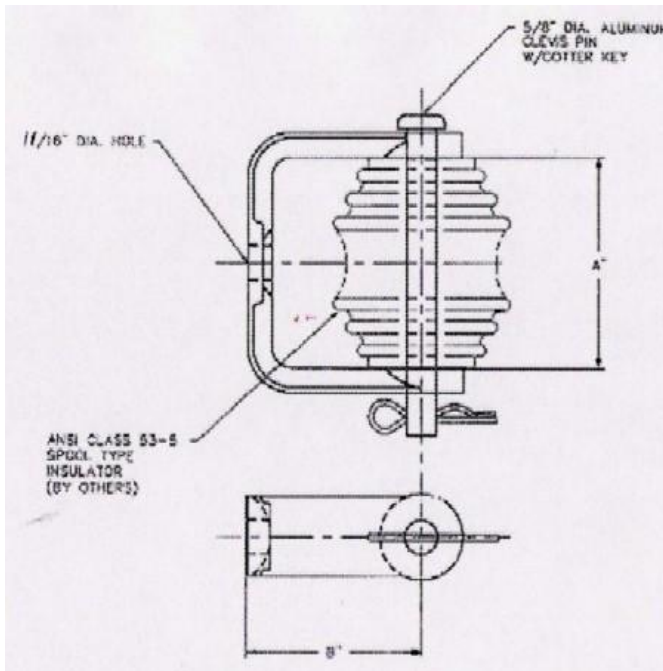
**Material:**

- Hot Dip Galvanized



Catalog Number	For Use w/ Insulator Catalog No.	Weight/100 (lbs)
<b>J93</b>	J101 or J151	168
<b>J093</b>	J101 or J151	140

Notes:  
1) Insulators shown for illustration only and must be ordered separately



**Features:**

- Corrosion resistant aluminum alloy clevis for use with 3" spool insulators. Insulator shown for illustration only and must be ordered separately

**Material:**

- Clevis: Aluminum Alloy
- Stainless Steel Cotter Key

Catalog Number	A	B	Weight/100 (lbs)
<b>CCA-5-3.12</b>	3 1/8"	3 5/8"	85

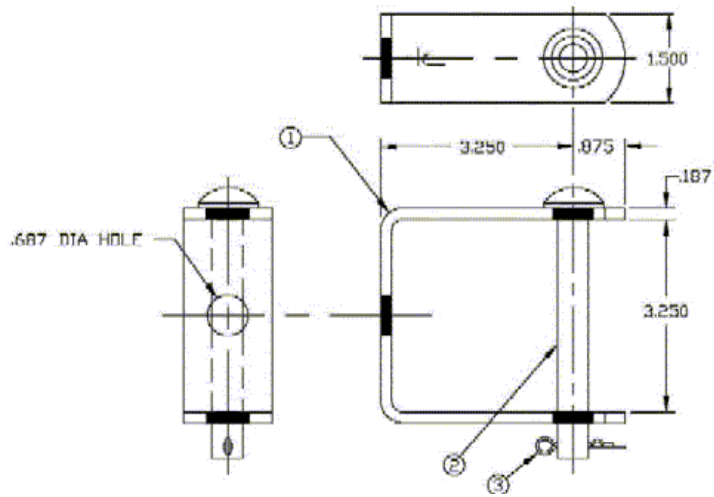
Notes:  
1) Insulator shown for illustration only and must be ordered separately

**Features:**

- Economical secondary clevis for standard 3" spool insulator

**Material:**

- Hot Dip Galvanized



Catalog Number	For Use w/ Insulator Catalog No.	Weight/100 (lbs)
<b>J1394</b>	J101 or J151	124

ISO Certification  
©2018 MacLean Power Systems

[About MPS](#) | [Customer Service](#) | [Industry Links](#) | [News](#) | [Careers](#) | [Contact Us](#)  
[Privacy Policy](#) | [Conflict Minerals Policy](#) | [Customer Terms](#) | [Supplier Terms](#) | [Site Map](#)



Web site design and web site development by [Americaneagle.com](#)