



MPS ServiceNet

[About MPS](#)
[Technical References](#)
[Customer Service](#)
[Distributor Locator](#)
[Rep Locator](#)
[Industry Links](#)
[News](#)
[Contact Us](#)

Login

Search Cross Reference

Conductor Hardware >> Clamps, Deadend

Straight Line, Aluminum

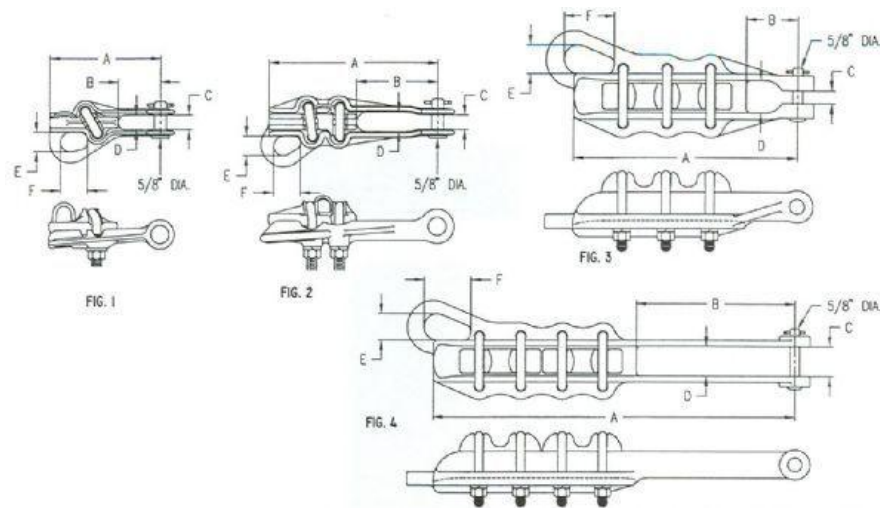
[Print This Page](#)
[Print PDF Catalog Page\(s\)](#)

Features:

- Recommended torque values -
- 3/8 = 20-25 Ft. Lbs.
- 1/2 = 40-45 Ft. Lbs.
- 5/8 = 65-70 Ft. Lbs.

Material:

- Body and Keeper- Aluminum Alloy
- Hardware - Steel, Hot Dip Galvanized
- Cotter Pin - Stainless Steel



Catalog Number	Fig.	Conductor Range Inches	Conductor ACSR	Conductor Alum.	U Bolt Size	Ultimate Strength Body	Ultimate Strength Sag Eye	U Bolt No	A	B	C	D	E	F	Weight/100 (lbs)
ASD-1-N	1	.15-.47	8-2/0	6-3/0	1/2	7000	6000	1	5.75	2.25	0.69	3/4	1	1 3/8	121
ASD-2-N	2	.19-.47	6-2/0	6-3/0	3/8	7000	7000	2	6.50	2.25	0.69	5/8	1	1 3/8	124
ASD-34-N	2	.19 - .60	6-266.8	6-266.8	1/2	8500	8000	2	8.75	3.75	0.69	11/16	1	1 3/8	238
ASD-37-N	2	.46-.75	3/0-397.5	3/0-400	1/2	10000	10000	2	8.38	3.75	0.75	13/16	1	1 3/8	233
ASD-45-N	2	.52-.90	4/0-477	4/0-600	1/2	10000	10000	2	8.75	4.25	0.75	1	1 1/8	1 3/8	241
ASD-58-N	2	.65-1.25	211.3-1113	300-1113	1/2	15000	10000	2	9.63	5.25	0.75	1 3/8	1 1/8	1 1/2	344
ASD-69-N	2	.72-1.55	336.4-1590	397.5-1800	5/8	15000	12000	2	10.75	6.00	0.81	1 3/4	1 1/8	1 1/2	446
ASD-92-N	3	1.38-2.00	1272-2156	1500-3000	5/8	25000	18750	3	14.13	3.25	0.81	2	1 3/4	3	1001

Notes:
 1) Add suffix "-S" for socket in place of suffix "-N"

ISO Certification

©2018 MacLean Power Systems

Web site design and web site development by Americaneagle.com

[About MPS](#) | [Customer Service](#) | [Industry Links](#) | [News](#) | [Careers](#) | [Contact Us](#)
[Privacy Policy](#) | [Conflict Minerals Policy](#) | [Customer Terms](#) | [Supplier Terms](#) | [Site Map](#)

