



MPS ServiceNet

[About MPS](#) [Technical References](#) [Customer Service](#) [Distributor Locator](#) [Rep Locator](#) [Industry Links](#) [News](#) [Contact Us](#)

Login

- enter email -
- enter password -

Search

Conductor Hardware >> Clamps

Hot Line Stirrup

[Print This Page](#) [Print PDF Catalog Page\(s\)](#)

Features:

- Compression Joint Inhibitor Filled
- Snap-on Action
- Twin Current Path Design
- Captured Hardware to Prevent Disassembly
- Inhibitor Filled Conductor Groove
- Individually Polyethylene Packaged

Material:

- Aluminum Alloy
- Bail: Hard Drawn Copper
- Eye Bolts: Forged Steel, Hot Dip Galvanized; add suffix "E" for as option
- Bolts: Steel, Hot Dip Galvanized
- Tin plated option - add suffix "TN"

Online Catalog

MacLean Real-Time Design™

[Anchors - Utility](#)

[Arresters](#)

[Conductor Hardware](#)

[Cutouts](#)

[Fiberglass - Utility](#)

[Safety Products](#)

[Transmission Insulators](#)

[Distribution Insulators](#)

[Substation Insulators](#)

[Pole Line Hardware A-E](#)

[Pole Line Hardware F-Z](#)

[Industry Links](#)

[Buy America Certified](#)

Also of Interest

[Conductor Hardware](#)

[Anchors - Utility](#)

[Cutouts](#)

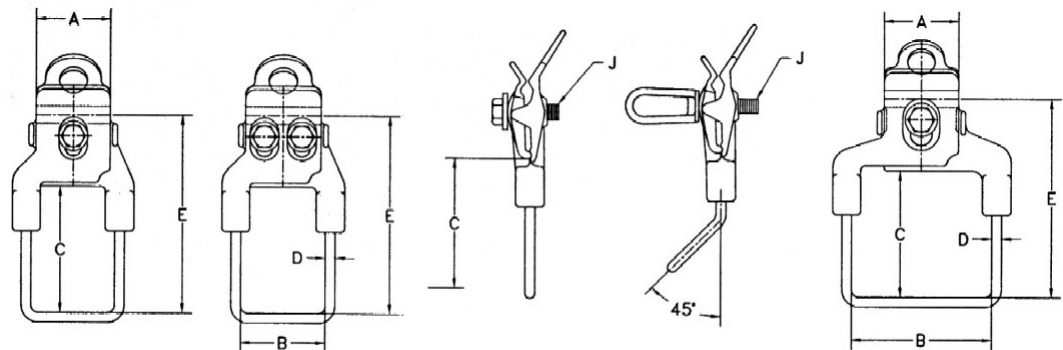


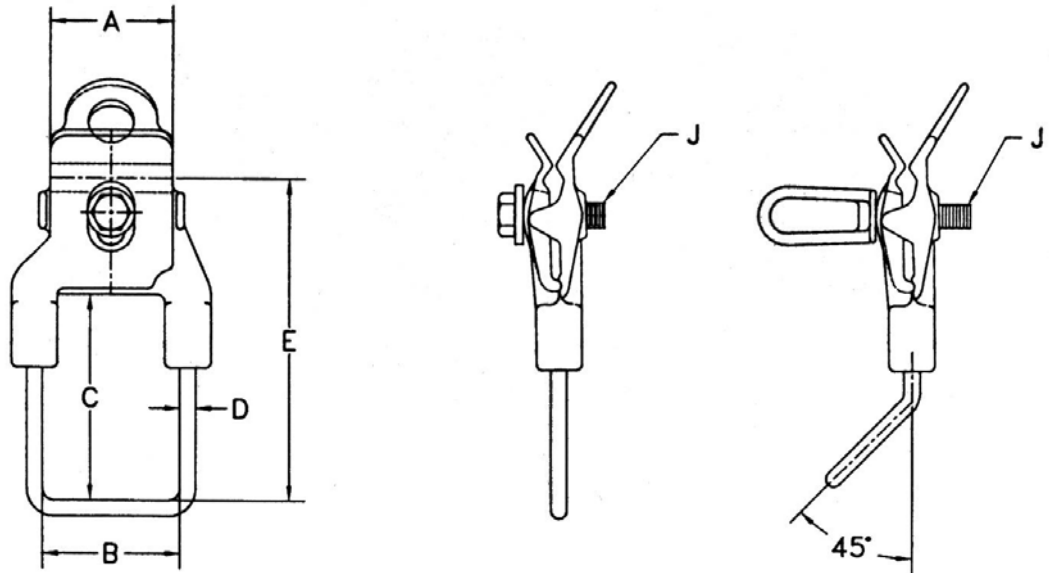
Figure 1 Figure 2 Figure 3 Figure 4 Figure 5

Catalog Number	Fig.	Conductor ACSR	Conductor AAC	A	B	C	D	E	F	Standard Pack
HLS-2/0	1&3	#6-2/0	#4-2/0	2.00	2.25	3.38	#2 Cu.	5.19	.50	50
HLS-2/0-E	1&4	#6-2/0	#4-2/0	2.00	2.25	3.13	#2 Cu.	4.88	.50	40
HLS-2/0-WB	5&3	#6-2/0	#4-2/0	2.00	3.75	3.38	#2 Cu.	5.19	.50	50
HLS-2/0-E-WB	5&4	#6-2/0	#4-2/0	2.00	3.75	3.13	#2 Cu.	4.88	.50	50
HLS-4/0	1&3	#4-4/0	#3-4/0	2.75	3.19	4.00	1/0 Cu.	6.25	.50	50
HLS-4/0-E	1&4	#4-4/0	#3-4/0	2.75	3.19	3.88	1/0 Cu.	5.75	.50	25
HLS-397	2&3	1/0-397.5	2/0-477	4.00	3.13	4.25	2/0 Cu.	5.19	.50	25
HLS-397-E	2&4	1/0-397.5	2/0-477	4.00	3.13	4.00	2/0 Cu.	4.88	.50	15
HLS-397-LD	2&3	1/0-397.5	2/0-477	4.00	3.13	4.13	1/0 Cu.	5.19	.50	25
HLS-397-LD-E	2&4	1/0-397.5	2/0-477	4.00	3.13	3.88	1/0 Cu.	4.88	.50	15
HLS-795	2&3	336.4-795	397.5-954	4.00	3.56	5.13	4/0 Cu.	8.75	.50	20
HLS-795-E	2&4	336.4-795	397.5-954	4.00	3.56	5.00	4/0 Cu.	6.88	.50	10
HLS-795-LD	2&3	336.4-795	397.5-954	4.00	3.56	4.25	2/0 Cu.	7.25	.50	20
HLS-795-LD-E	2&3	336.4-795	397.5-954	4.00	3.56	4.00	2/0 Cu.	6.88	.50	10

Material

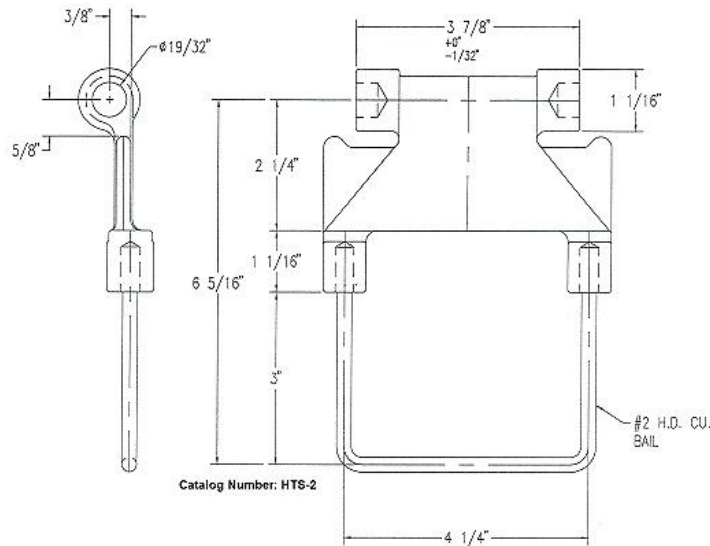
- Silic
- Bro
- Bail:
- Har
- Dro
- Cop
- Eye
- Bolt:
- For
- Stee
- Add
- suffi
- "E" :
- opti

- Hex
- Hea
- Bolt
- Silic
- Bror
- Tin
- Plat
- Opti
- -ad
- suffi
- 'TN'



Catalog Number	Clamping Range	Clamping Range AWG	A	B	C	D	E	F	Standard Pack
HLS-2-6-CC	.162-.258	#6 sol.-#2 str.	3.13	3.00	--	#2 Cu.	4.57	0.38	25
HLS-2/0-CC	.198-.447	#4-2/0	2.00	2.25	4.00	#2 Cu.	5.88	.50	20
HLS-250-CC	.316-.522	#2-250	2.75	3.25	4.00	#1 Cu.	6.25	.50	25

Notes:



Material:

- Aluminum Alloy
- Bail: Hard Drawn Copper
- Spring: Stainless Steel

HTS-2 - All dimensions shown on drawing above

Notes:

- 1) For spring in one trunnion, add suffix "-SL"
- 2) For spring in both trunnions, add suffix "-SL2"

