



MPS ServiceNet

[About MPS](#)
[Technical References](#)
[Customer Service](#)
[Distributor Locator](#)
[Rep Locator](#)
[Industry Links](#)
[News](#)
[Contact Us](#)

Login

- enter email -
- enter password -

Search

Cross Reference

Keyword or Part #

Conductor Hardware >> Clamps

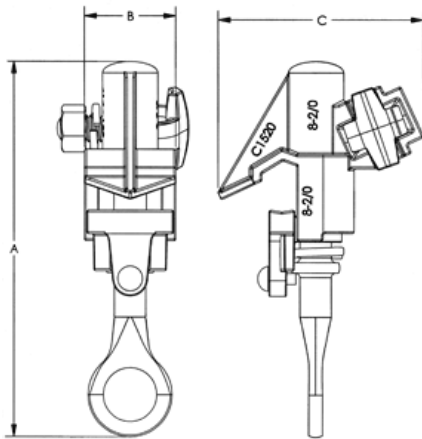
Hot Line

[Print This Page](#)
[Print PDF Catalog Page\(s\)](#)



Features:

- MPS Hot Line Clamps are live line tools compatible for distribution tap connections
- Bronze Alloy and Aluminum Alloy castings offer high strength, corrosion resistance, and conductor compatibility
- Extended jaw width means excellent conductor contact, reduced joint temperature, minimal conductor cold flow and reduced twisting of the conductor during installation
- Spring loaded feature compensates for cold flow and offsets tightening torque vibrations.
- Forged eyebolts provide corrosion free strength and uniformed expansion under loading
- The side positioned tap connection prevents possible corrosion of conductor or clamp on bimetal connections
- Successful Current Cycle testing per ANSI C119.4 provides assurances that the MPS hot line clamp will withstand the ampacity of a properly installed connection



Catalog Number	Connection Type Run	Connection Type Tap	Run Dia.	Run	Tap Dia.	Tap	A	B	C	Tap Nut (Socket Size)	Standard Pack
C1520	CU	CU	.128"-.414"	#8 sol-2/0 str	.128"-.414"	#8 sol-2/0 str	4.50	1.25	2.75	9/16	25
C1520LD	CU	CU	.128"-.414"	#8 sol-2/0 str	.128"-.414"	#8 sol-2/0 str	4.50	1.25	3.15	9/16	25
C1530	CU	CU	.162"-.745"	#6 sol-400 MCM	.152"-.682"	#6 sol-4/0 str	6.50	1.75	2.50	3/4	25
C1530A	AL	AL/CU	.162"-.745"	#6 sol-400 MCM	.152"-.682"	#6 sol-4/0 str	6.50	1.75	2.50	3/4	25
C1535AP	AL	AL/CU	.250"-.860"	#4 ACSR-477 MCM	.250"-.860"	#4 ACSR-477 MCM	6.50	2.65	2.75	3/4	25
C1540AP	AL	AL/CU	.502"-.1.031"	4/0 ACSR-800 MCM	.198"-.703"	#4 sol-350 MCM	6.50	2.00	3.00	3/4	25

Notes:

- 1) Suffix "A" indicates aluminum body clamps
- 2) For "General Purpose" clamps, add suffix "P" for tin plating
- 3) Add suffix "-9" for packaging with inhibitor
- 4) For other options, consult factory

Online Catalog

MacLean Real-Time Design™

Anchors - Utility

Arresters

Conductor Hardware

Cutouts

Fiberglass - Utility

Safety Products

Transmission Insulators

Distribution Insulators

Substation Insulators

Pole Line Hardware A-E

Pole Line Hardware F-Z

Industry Links

Buy America Certified

Also of Interest

Conductor Hardware

Anchors - Utility

Substation Insulators



ISO Certification
©2018 MacLean Power Systems

[About MPS](#) | [Customer Service](#) | [Industry Links](#) | [News](#) | [Careers](#) | [Contact Us](#)
[Privacy Policy](#) | [Conflict Minerals Policy](#) | [Customer Terms](#) | [Supplier Terms](#) | [Site Map](#)



Web site design and web site development by [Americaneagle.com](#)