



MPS ServiceNet

[About MPS](#)
[Technical References](#)
[Customer Service](#)
[Distributor Locator](#)
[Rep Locator](#)
[Industry Links](#)
[News](#)
[Contact Us](#)

Login

Search Cross Reference

[Forgot your password?](#)
[Need an account?](#)

Online Catalog

MacLean Real-Time Design™

[Anchors - Utility](#)

[Arresters](#)

[Conductor Hardware](#)

[Cutouts](#)

[Fiberglass - Utility](#)

[Safety Products](#)

[Transmission Insulators](#)

[Distribution Insulators](#)

[Substation Insulators](#)

[Pole Line Hardware A-E](#)

[Pole Line Hardware F-Z](#)

[Industry Links](#)

[Buy America](#)

Also of Interest

[Conductor Hardware](#)

[Safety Products](#)

[Substation Insulators](#)

Cutouts >> Polymer Cutouts

XS Polymer Cutouts

[Print This Page](#)

Application

MPS cutouts are designed for use on overhead distribution systems to provide over-current protection and a visible indication of fuse operation. Over-current protection safeguards an electric system from excessive currents produced by abnormal conditions such as line or equipment overloads, faults, or equipment failures.

Ratings

Rated Voltage (kV)	15, 27 and 38
BIL (kV)	110 - 170
Continuous Current (A)	100 - 300
Interrupting (Asym. Rating)	8000 - 16000

Features

- E-glass fiberglass core for mechanical strength
- One-piece crimped-on end fittings & robust center-bracket
- MPS's silicone polymer has been proven in high-voltage applications with our transmission insulators
- Over-mold polymer housing onto end fittings provides superior sealing against moisture ingress
- Polymer body and shed pattern meets IEC TS 60815 guidelines for severe contamination environments
- New heavy-duty top contact with dimple prevents over-closure
- Non-expendable fuse-tube cap construction eliminates extra expense of fuse-tube cap replacement

[MPS Polymer Cutout Advantages](#)

[Cutout Installation Manual](#)

[Cutout Cross Reference](#)

Stainless Steel Cutout Application

MPS Stainless Steel cutouts are specifically designed for severe contamination environments like coastal areas of heavy industrial zones. Structural metal components are constructed of 304 stainless steel alloy which provides resistance to atmospheric corrosion and many corrosive liquids. The polymer body and sheds design meet IECTS 60815 guidelines for severe contamination areas.

Ratings Table

English
 Metric

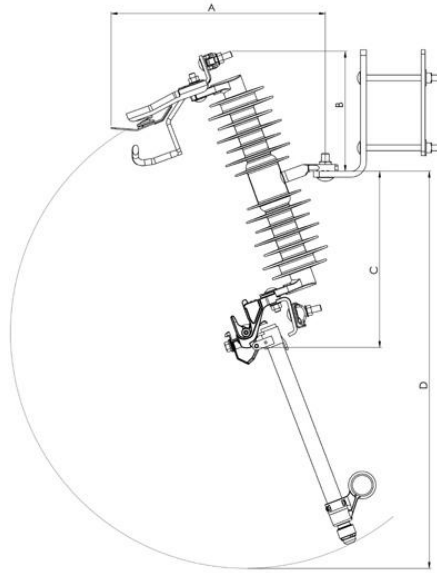
Catalog Number	Nominal Rating (kV)	Max. Rating (kV)	BIL Rating	Cont. Rating (Amps, RMS)	Interrupting/Momentary (Asym.) Rating (Amp, RMS)	Approx. Fuse Tube Length (in)	Leakage Distance to Ground (in)	Fuse Tube/Disconnect Blade Only	Cutout Less Fuse Tube Catalog No.
SC15HG110-D	14.4	15	110	100	10,000	11.3	14.8	89521R10	SC15HG-D
SC15HG116-D	14.4	15	110	100	16,000	11.3	14.8	89531R10	SC15HG-D
SC15HG212-D	14.4	15	110	200	12,000	11.3	14.8	89571R11	SC15HG-D
SC15HG300-D	14.4	15	110	300	Solid Blade	11.3	14.8	89621R10	SC15HG-D
SC27SG108-D	25	27	150	100	8,000	14.8	19.0	89522R10	SC27SG-D



Options

- Brackets – NEMA and Extended Versions
- Conductor Connectors – Parallel Groove or Eye-bolt designs
- Stainless steel hardware components for extra corrosion and contamination protection
- Blade designs for switching applications

SC27SG112-D	25	27	150	100	12,000	14.8	19.0	89532R10	SC27SG-D
SC27SG210-D	25	27	150	200	10,000	14.8	19.0	89572R11	SC27SG-D
SC27SG300-D	25	27	150	300	Solid Blade	14.8	19.0	89622R10	SC27SG-D
SC27XG112-D	25	27	170	100	12,000	18.3	35.4	89533R10	SC27XG-D
SC38HG300-D	36	38	170	300	Solid Blade	18.3	35.4	89623R10	SC38HG-D

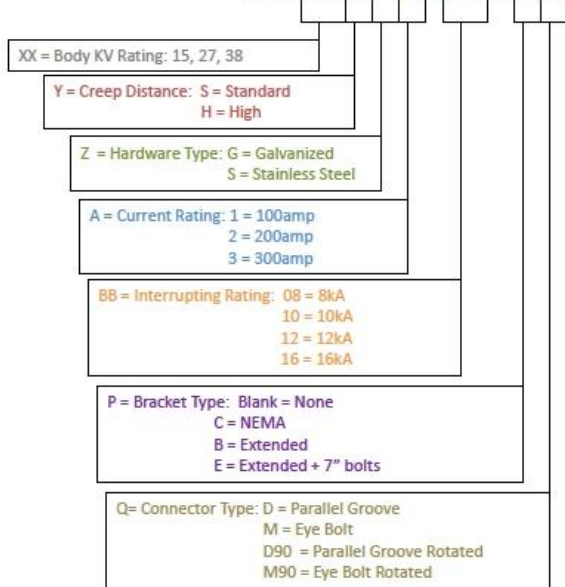


Catalog Number	A (in)	B (in)	C (in)	Diameter (in)	Weight (lbs)	Net Weight (kg)
SC15HG110-D	12.5	6.3	9.8	20.3	8.5	3.9
SC15HG116-D	12.5	6.3	9.8	20.3	8.5	3.9
SC15HG212-D	12.5	6.3	9.8	20.3	8.5	3.9
SC15HG300-D	12.5	6.3	9.8	20.3	8.5	3.9
SC27SG108-D	13.9	7.9	11.4	25.3	10	4.5
SC27SG112-D	13.9	7.9	11.4	25.3	10	4.5
SC27SG210-D	13.9	7.9	11.4	25.3	10	4.5
SC27SG300-D	13.9	7.9	11.4	25.3	10	4.5
SC27XG112-D	14.4	9.5	13.0	31.4	12.5	5.7
SC38HG300-D	14.4	9.5	13.0	31.4	12.5	5.7

Ordering Instructions

Part Numbering Convention:

SCXXYZABB-PQ

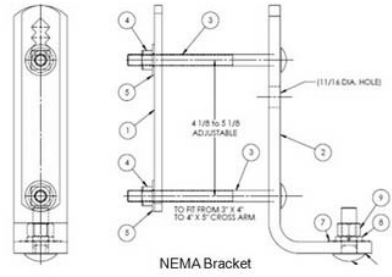


Brackets

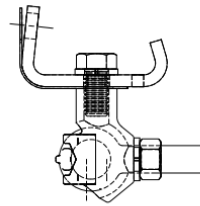
Type:	Description:	Order Suffix:
NEMA	Fits 3" x 4" to 4" x 5" Cross Arms	-C
Extended	Extended 5.5" bracket	-B
Extended	Extended 5.5" bracket + 7" Bolts	-E

Connectors

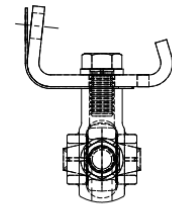
Type:	Description:	Order Suffix:
Parallel Groove Clamp	#8 Solid through 4/O	D
-	Rotated 90 Degrees	D90
Eyebolt	#6 Solid through 250MCM	M
-	Rotated 90 Degrees	M90



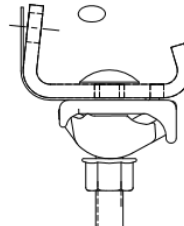
NEMA Bracket



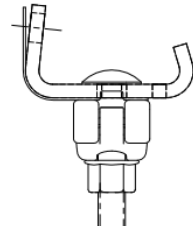
Eyebolt



Eyebolt Rotated 90 Deg. for Vertical Insertion



Parallel Groove Clamp



Parallel Groove Clamp Rotated 90° for Vertical Insertion

ISO Certification

©2018 MacLean Power Systems

Web site design and web site development by Americaneagle.com

About MPS | Customer Service | Industry Links | News | Careers | Contact Us
 Privacy Policy | Conflict Minerals Policy | Customer Terms | Supplier Terms | Site Map

