

# EZ Ordering Information

Please fill in the form below to specify the Zforce™ product that meets your specifications.

**Z\_P** **P0** **kV** **-** **P1** **P2** **P3** **P4** **P5** **P6** **P7**

## Z\_P Pole Type

**ZNP** - Zinc Oxide Normal Duty 5 kA Polymer Arrestor

**ZHP** - Zinc Oxide Heavy Duty 10 kA Polymer Arrestor

**ZRP** - Zinc Oxide Riser Pole Polymer Arrestor

## P0 General Options

**0** - 3/8" x16 SSTL Studs (line and ground terminals)

## kV(U<sub>r</sub>) Duty-Cycle Rating of Arrestor

03, 06, **09**, 10, 12, 15, 18, 21, 24, 27, 30, 36

## P1 Insulating Bracket Options

**0** - Standard Insulating Bracket with GLD

**1** - Standard Insulating Bracket, No GLD

**2** - No Insulating Bracket, with GLD (line arrester)

**3** - No Insulating Bracket, No GLD (switchgear application)

## P2 Additional Bracket Options

**0** - No NEMA Brackets

**A** - Transformer Type A Bracket

**C** - Crossarm Bracket (top mounting with backstrap assembly)

**N** - Transformer Type N Bracket

**W** - Transformer Type W Bracket

## P3 Top Terminal Options\*

**00** - Standard-Four corner SSTL clamp and nut

**02** - Two four corner SSTL clamps

**11** - 18" Insulated Wire Lead with line ring terminal/flat washer/lock washer

**12** - 18" Insulated Wire Lead with two ring terminals/flat washer/lock washer

## P4 Universal Insulating Cap (Bird Guard)

**0** - Without Cap

**1** - With Cap

**2** - Fuse Kit

**3** - With Cap (see note)

**NOTE:** If P7 option is #P or #S and P3 is 11 or 12, select 3 for the P4 position

## P5 Bottom Terminal Options\*

**00** - Standard - U clamp and nut

**01** - Four corner SSTL clamp and nut

**02** - Two four corner SSTL clamps, (up/down)

**12** - 12.0" Copper Strap

## P6 Bagging Options

**B** - Boss Mounting Hardware

**H** - Lug Mounting Hardware

**NOTE:** If none - leave blank

## P7 Packaging Options

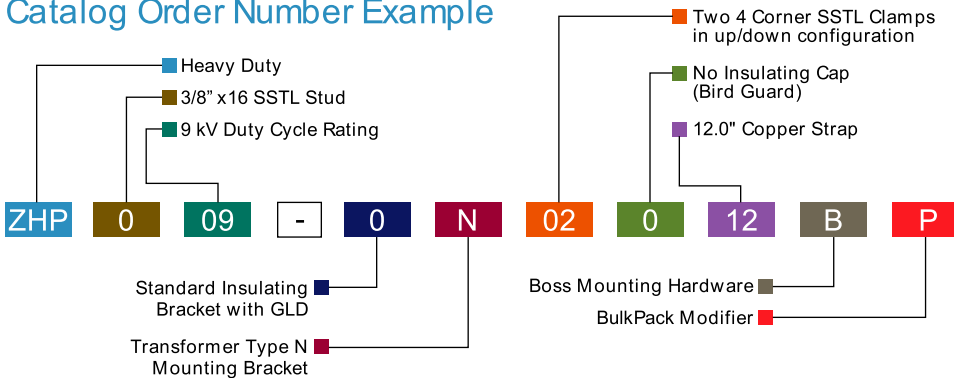
**#P** - Bulk Packaging

**#S** - Preassemble P2 & P4 options to unit, single pack

**NOTE:** Blank denotes standard pack of 1 ea.; If P6 option selected, omit number sign

\* Top/Bottom Terminal: Fits wire ranges for aluminum or copper conductors from No. 10 solid (3.0mm dia.) through 2/0 stranded (11.0mm dia.)

## Catalog Order Number Example



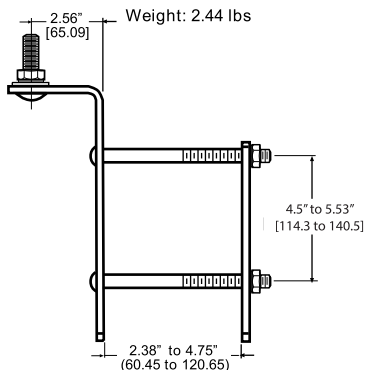
Boss Mounting Hardware



Lug Mounting Hardware

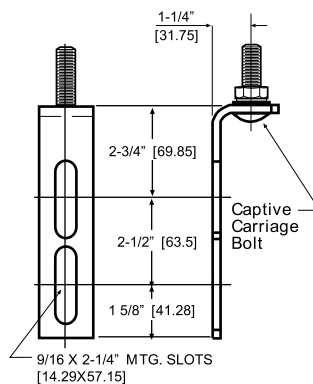
## Mounting Brackets

Type "C" EEI - NEMA Top Mounted Crossarm Bracket  
Weight: 2.44 lbs



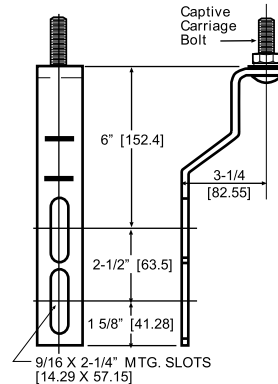
#7106A0025

Type "A" Weight: 1.08 lbs



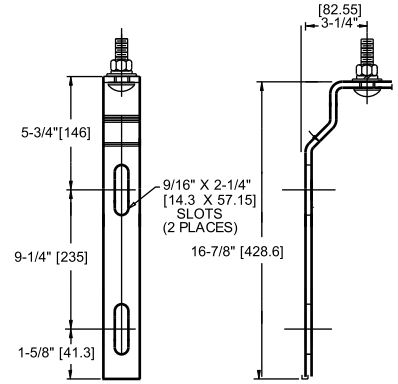
#7106A0013

Type "N" Weight: 1.39 lbs



#7106A0015

Type "W" Weight: 2.09 lbs



#7106A0047

481 Munn Road, Suite 300, Fort Mill, SC 29715  
phone 803-628-4300, fax 803-396-860, [macleanpower.com](http://macleanpower.com)

ISO 9001  
Since 2003